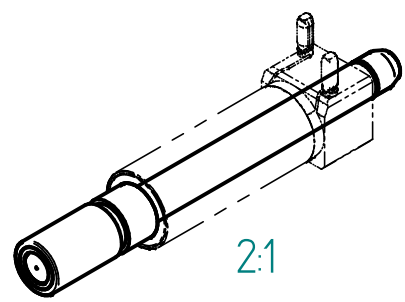


Coil unit is shown for reference only and must be ordered separately!



Material:		Tolerances 0-6 ±0.05	Scale: 4 : 1	Weight: 2.158 g
Treatment:		ISO 2768 >6-30 ±0.1	Part no: xxxxx.00	
		fine >30-120 ±0.15	Title:	
		Date	Name	
		Drawn 17.08.2020	JO	
		Chkd		
		Norm		
Nr.	Change	Date	Name	
Fritz Gyger AG CH-3645 Gwatt (Thun) www.fgyger.ch			Drawing no:	
			Sheet 1/1	
			A4	