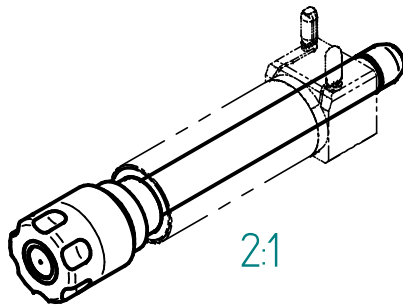


Coil unit is shown for reference only
and must be ordered separately!



Material:		Tolerances 0-6 ±0.05	Scale: 4 : 1	Weight: 2.158 g
Treatment:		ISO 2768 >6-30 ±0.1	Part no: xxxxx.00	
		fine >30-120 ±0.15	Title:	
		Date	Name	
		Drawn 12.05.2020	JO	
		Chkd		
		Norm		
Nr.	Change	Date	Name	
Fritz Gyger AG CH-3645 Gwatt (Thun) www.fgyger.ch			SMLD 300GR H Jx.x Tx M x M6x0.75 Exemplarartikel	
			Drawing no:	Sheet 1/1
				A4