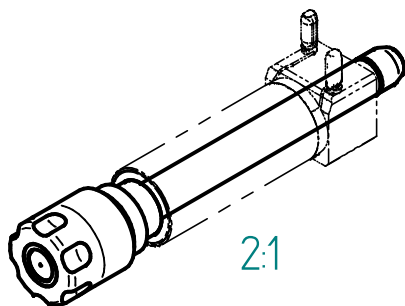


Coil unit is shown for reference only  
and must be ordered separately!



2:1

Material:		Tolerances 0-6 ±0.05	Scale: 4 : 1	Weight: 2.158 g
Treatment:		ISO 2768 >6-30 ±0.1	Part no: XXXXX.XX	
		fine >30-120 ±0.15		
		Date	Name	Title:
		Drawn 01.05.2020	JO	SMLD 300G H Jx.x Tx M x M6x0.75
		Chkd		Exemplarartikel
		Norm		
Nr.	Change	Date	Name	Drawing no:
				SMLD_300G_J_M_x_M6x0.75_Exemplar
Fritz Gyger AG CH-3645 Gwatt (Thun) www.fgyger.ch				Sheet 1/1
				44