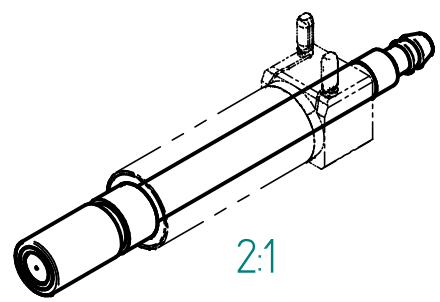


Coil unit is shown for reference only and must be ordered separately!



|   |        |                      |                   |                 |
|---|--------|----------------------|-------------------|-----------------|
| Material:   |        | Tolerances 0-6 ±0.05 | Scale: 4 : 1      | Weight: 2.158 g |
| Treatment:  |        | ISO 2768 >6-30 ±0.1  | Part no: xxxxx.01 |                 |
|   |        | fine >30-120 ±0.15   | Title:            |                 |
|   |        | Date                 | Name              |                 |
|   |        | Drawn 01.05.2020     | JO                |                 |
|   |        | Chkd                 |                   |                 |
|   |        | Norm                 |                   |                 |
| Nr.   | Change | Date                 | Name              |                 |
| Fritz Gyger AG<br>CH-3645 Gwatt (Thun)<br>www.fgyger.ch |        |                      | Drawing no:       |                 |
|   |        |                      | Sheet 1/1         |                 |
|   |        |                      | A4                |                 |